

Project Name: _____
 Location: _____
 Engineer: _____
 Submitted to: _____
 Submitted by: _____
 Reference: _____

Approval: _____
 Date: _____
 Construction: _____
 Unit #: _____
 Drawing #: _____

Performance

Indoor Unit Model No:	Ducted
Outdoor Unit Model No:	RWEYQ216PTJU
Cooling Capacity (Btu/hr):	216000
Sensible Capacity (Btu/hr):	0
Cooling Input Power (kW):	
Cooling EER (Btu/hr / kW):	15.3
SEER:	N/A
Heating Capacity (Btu/hr):	243000
Heating Input Power (kW):	
Heating COP (Btu/hr / Btu/hr):	5.3
HSPF:	N/A

Indoor Unit Type:	
Condensing Unit Type:	18-Ton VRV-VIII Heat Pump
Cooling Nominal Conditions	Indoor: 80°F DB/67°F WB
	Outdoor: 95°F DB/75°F WB
	Water Cooled: 85
Heating Nominal Conditions	Indoor: 47°F DB/43°F WB
	Outdoor: 47°F DB/43°F WB
	Water Cooled: 70
Nominal Piping Length	25
Nominal Height Separation	0
Nominal Water Flow Rate	25.4 GPM

Indoor Unit Details

Power Supply (V/Hz/Ph):	N/A
Power Supply Connections:	
Min. Circuit Amps MCA (A):	
Max. Fusible Amps MFA (A):	
Dimensions (HxWxD):	N/A
Panel (HxWxD):	N/A
Net Weight (lbs):	
Weight with Panel (lbs):	

Airflow Rate (CFM wet coil)	N/A
Moisture Removal (pt/h):	
Gas Pipe Connection (inch):	
Liquid Pipe Connection (inch):	
Condensate Connection (inch):	
Sound Pressure Level (dBA):	
Sound Power Level (dBA):	
Nominal External Static Pressure (inH2O)	
Max Ext Static Pressure (inH2O)	

Condensing Unit Details

Power Supply (V/Hz/Ph):	208-230/60/3ph
Power Supply Connections:	L1, L2, L3 Ground
Min. Circuit Amps MCA (A):	22.4+22.4+22.4
Max. Fusible Amps MFA (A):	40+40+40
Max. Starting Current MSC(A):	-
Rated Load Amps RLA (A):	11.6+11.6+11.6
Total Overcurrent Amps (A):	24 + 24 + 24
Dimensions (HxWxD):	39-3/8x93-3/4x21-11/16
Net Weight (lbs):	330 x 3
Compressor Type:	Inverter
Capacity Control Range (%):	8 - 100
Capacity Index Limit:	108 - 280 (130%)

Airflow Rate (CFM):	N/A
Gas Pipe Connection (inch):	1-3/8
Liquid Pipe Connection (inch):	5/8
H/L Pressure Connection (inch):	
H/L Equalizing Connection (inch):	
Water Inlet Connection (inch FPT):	1-1/4FPT
Water Outlet Connection (inch FPT):	1-1/4FPT
Condensate Drain Outlet (inch FPS):	1/2FPS
Sound Pressure Level (dBA):	56
Sound Power Level (dBA):	
Unit Heat Rejection (kW):	0.64 + 0.64 + 0.64
Max. No. of Indoor Units:	22

System Details

Refrigerant Type:	R-410A
Holding Refrigerant Charge (lbs):	9.9+9.9+9.9
Additional Charge (oz/ft):	install data
Pre-charge Piping (Length ft):	-
Max. Pipe Length (Total ft):	390 ft
Max. Pipe Length (Vertical ft):	164 ft / 130 ft

Cooling Operation Range (°F):	35 - 104 (Mech. Room)
Cooling Range w/Baffle (°F):	
Heating Operation Range (°F):	35 - 104 (Mech. Room)
Heating Range w/Baffle (°F):	
Cooling Inlet Water Temp (°F):	(43) 59 - 113
Heating Inlet Water Temp (°F):	(14) 50 - 113
Water Flow Range (GPM):	13.2 - 39.5



Submittal Data Sheet

Project Name: _____

Location: _____

Engineer: _____

Submitted to: _____

Submitted by: _____

Reference: _____

Approval: _____

Date: _____

Construction: _____

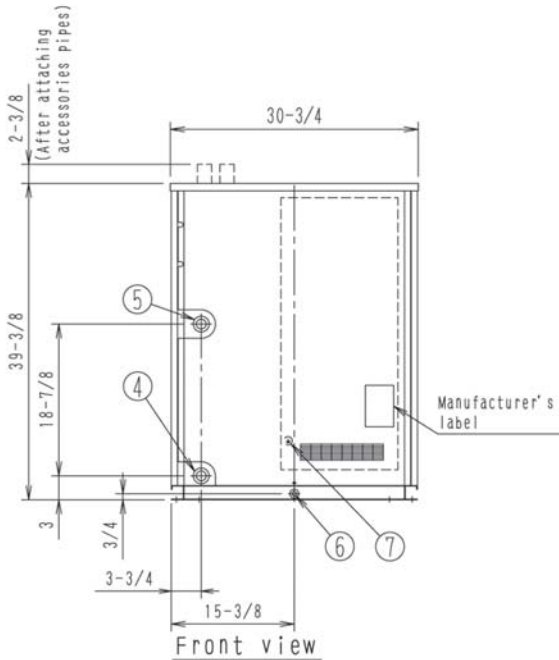
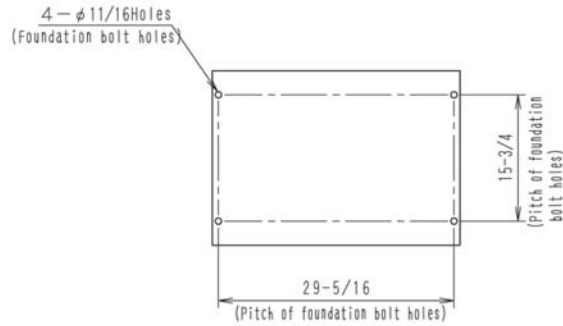
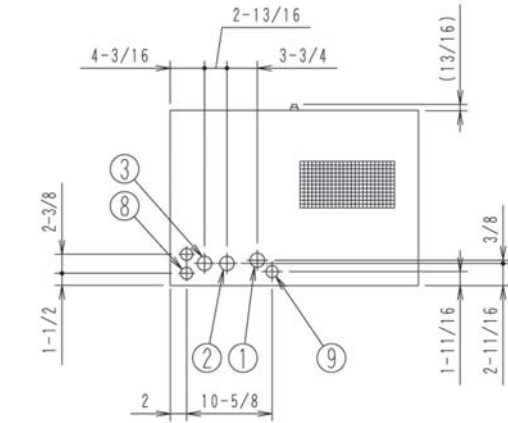
Unit #: _____

Drawing #: _____

Project Name: _____
 Location: _____
 Engineer: _____
 Submitted to: _____
 Submitted by: _____
 Reference: _____

Approval: _____
 Date: _____
 Construction: _____
 Unit #: _____
 Drawing #: _____

Dimensional Drawing - Condensing Unit



Right side view



Rear view

Project Name: _____
Location: _____
Engineer: _____
Submitted to: _____
Submitted by: _____
Reference: _____

Approval: _____
Date: _____
Construction: _____
Unit #: _____
Drawing #: _____

Notes

Requires Multi Connection Pipe Kit (BHFP22MA84U), Std U.S. Warranty: 6yrs Compressor, 1yrs Parts, 1yr Limited Labor